

# MAS10 DATASHEET



## KEY FEATURES

### Pitch & roll tolerant

16° vertical beam

### High-resolution radar

77GHz FMCW

### Field of view

360° via 400 azimuths

### Performance

All-weather operation



## SUMMARY

With a 2Hz refresh rate, a 1000m detection range, and centimetre-level resolution, Navtech Radar's MAS10, is the perfect complement to a marine perception system.

This latest sensor is designed with a 16° vertical beam to achieve reliable operation in choppy waters.



## Revolutionising marine autonomy with high-resolution W-band radar

Introducing MAS10 from Navtech Radar, a breakthrough in marine autonomy. Using 76-77GHz FMCW radar technology, it offers exceptional 360° situational awareness, detecting small targets like buoys and kayaks, in all weather conditions. With a 2Hz refresh rate, 1000m range, and cm-level resolution, MAS10 ensures fast, reliable detection in congested waters. Integration is simplified by open SDK access, and support for multiple data outputs. We complement X-band radars with short-range, high-resolution detection. Embrace the future of safe marine navigation with the MAS10 radar.

# TECHNICAL SPECIFICATIONS - MAS10-1002-T

## Performance

<b>Operating frequency</b>	76-77GHz
<b>Range bin length</b>	0.155m
<b>Beamwidth (azimuth)</b>	1.8°
<b>Beamwidth (elevation)</b>	+/-8° (16° total)
<b>Instrumented range</b>	1000m
<b>Field of view</b>	360°
<b>Azimuths/rotation</b>	400
<b>Rotation rate</b>	2Hz (0.5s)

## Format

<b>Output</b>	Timestamped azimuth with FFT
<b>Control interface</b>	TCP/IP Gigabit ethernet
<b>Time synchronisation</b>	NTP/PTP

## Physical

<b>Diameter</b>	312mm
<b>Height</b>	320mm
<b>Weight</b>	9.3 Kg
<b>Power consumption</b>	24W (24VDC)
<b>Max wind speed</b>	100 knots
<b>Ingress protection</b>	IP67
<b>Operating temperature</b>	-20 to 60°C

## Regulatory

<b>Safe working distance</b>	0.06m from dome
------------------------------	-----------------

## Compliance

Specifications are subject to change without notice.  
All images used are for illustrative purposes only.  
Due to customer use beyond our control, Navtech Radar cannot assess product relevance for specific applications. Customers are responsible for testing products and reviewing regulations to ensure safe operation.



**Navtech complies with the following ISO standards**

ISO 9001:2015 Quality

ISO 27001 Information Security

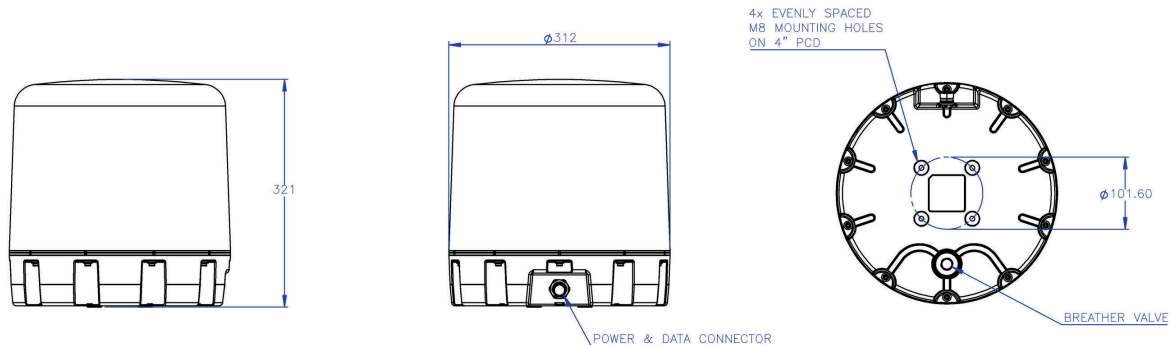
ISO 20000 IT Service Management

ISO 45001 Health and Safety

ISO 14001 Environmental

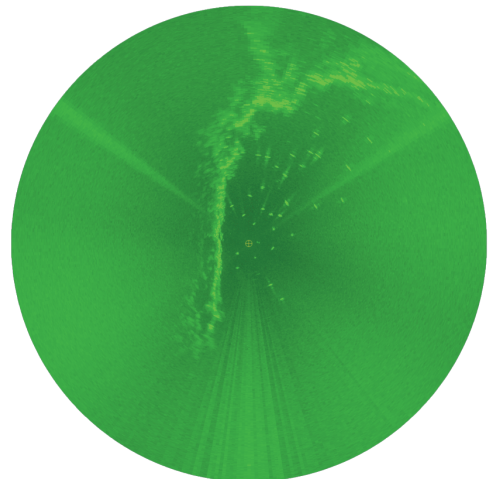
# INTEGRATION

## Dimensions

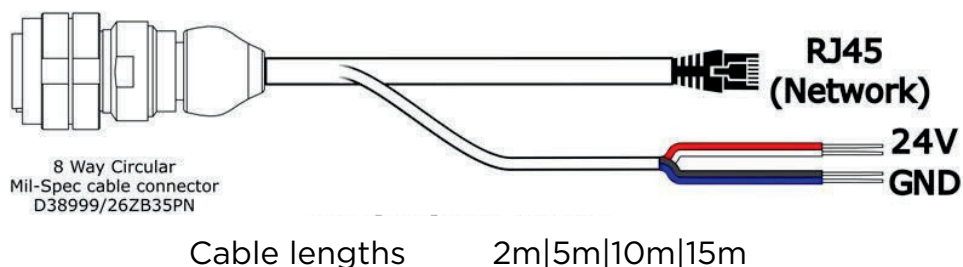


## Software integration

<b>Format</b>	Colossus ASTERIX CAT240 Pointcloud
<b>Tracking</b>	Cambridge Pixel SPx Server
<b>SDK</b>	C++ .NET Python ROS, ROS2



## Cable options



**Navtech Radar**



+44 (0) 1235 832 419



[www.navtechradar.com](http://www.navtechradar.com)



**Safety is everything.**

IA-PM-0003 V1.5

# Safety is everything.

**Navtech Radar**



+44 (0) 1235 832 419



[www.navtechradar.com](http://www.navtechradar.com)



**Safety is everything.**