

CTS350 TECHNICAL DATA SHEET



CTS350-X/CTS350-X-P

Region

Europe and Australia

Full range

1000m

Field of view

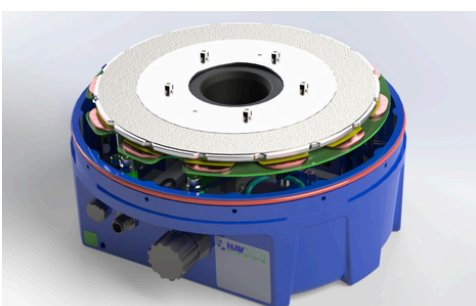
360°

All conditions

In poor visibility

NO MAINTENANCE

Each ClearWay radar dish rotates at 4Hz inside the enclosure, meaning millions of rotations throughout its 10-year lifecycle. All radars incorporate ultra-reliable and zero maintenance direct-drive motor units, giving service-free operation for each device whilst installed at the roadside.



EU and UKCA Marked
ACMA Marked
Patented

ClearWay™ for Highways

360° radar-based automatic incident detection

ClearWay is Navtech Radar's 360° radar-based incident detection and traffic data system that operates in all weather and lighting conditions, including in complete darkness, snow and fog. Navtech's reliable 360° scanning radars are coupled with intelligent tracking algorithms and sophisticated decision-making software to give you full situational awareness on your road when you need it the most. ClearWay has been deployed across the world in some of the most challenging conditions and is proven to make roads safer and improve journey times.

TECHNICAL SPECIFICATIONS - CTS350

TYPICAL SPACING

500m

FREQUENCY

76-77 GHz

UPDATE RATE

4Hz

DIMENSIONS

Measurements

H387mm x D249mm

Weight

6KG

RADAR CHARACTERISTICS

Field of view

360°

Measurement rate

400 per rotation

Radius

500m

Full range (diameter)

1000m

Range resolution

17.5cm

Beam shape**Horizontal**

1.8°

Vertical

1.8°

Azimuth sampling

0.9°

CONNECTION

Power**Connectors**

IP67 connector

Ethernet

IP67 connector - RJ45 CAT5e - 1 Gbps ethernet

Earth

M5 thread

Pressurisation valve

Yes

Speed**Network**

100/1000Mbps (configurable)

Bandwidth

<0.5Mbps per radar in normal operation
~38Mbps viewing full disc raw data
(for commissioning only)

Voltage input

24V DC

Tolerance

21.6V to 26.4V

Consumption

24W

	PoE+ variant
Voltage input	36V to 57V
Tolerance	-0.3 to 60V
1ms surge	-0.6 to 80V (surge protection on the PoE line is recommended)
Consumption	24W

ENVIRONMENT

Operating Temperature	-20°C to +60°C
Enclosure	UL50/50E
Weather	Fully functional in wind, rain, snow, fog, ice, humidity 0-100% condensing
Visibility	Full performance through fog and smoke
IP rating	IP67
Saline	BS EN 60068-2-52:1996 Test Kb Severity 3
Shock and vibration	BS 7987 Clause 11, Class AJ2 BS EN 60068-2-64 Test Fh, Class AL2 BS EN 60068-2-27 2009, Test Ea BS EN 60068-2-31, Procedure 1

ELECTRICAL AND RADIO

Radar frequency	76-77 GHz
EMC Directive	2014/30/EU
Radio Equipment Directive	2014/53/EU
Low Voltage Directive	2014/35/EU

SOFTWARE

Protocols	TCP/IP, UDP, IPv4, HTTP, HTTPS, TLS1.2, SSH
Interface	Vertex via web browser
Authenticated access	Yes
Signed software	Yes - SHA512

SECURITY

Encryption library	Botan
Authentication	Yes (password change or reset through admin account)

Account management

Password update only (3 inbuilt accounts)

Firewall / Access Control

Yes

SSH

Yes

Secure mode

Yes (closes port 80, only allows SSH with secure key, no UDP multicast)

ACCREDITATIONS AND COMPLIANCE

Compliance

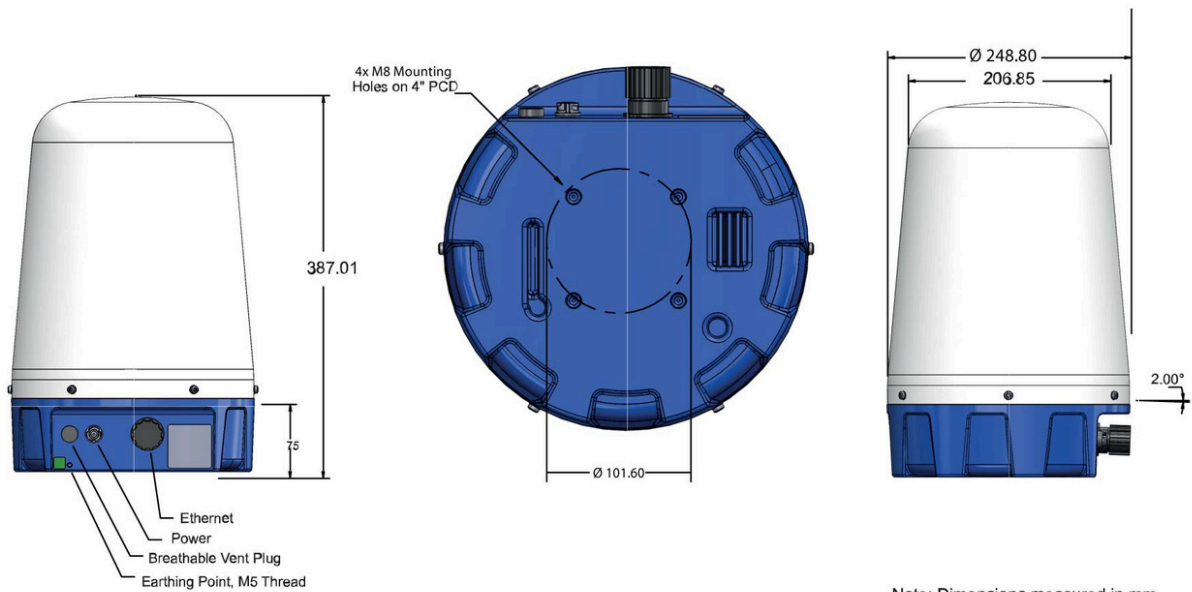
CE, UKCA, ACMA Marked

PATENTS

Patent

Patent No. GB 2 518 344

DIMENSIONS



Note: Dimensions measured in mm.

Specifications are subject to change without notice. All images used are for illustrative purposes only. Due to customer use beyond our control, Navtech Radar cannot assess product relevance for specific applications. Customers are responsible for testing products and reviewing regulations to ensure safe operation.

Navtech complies with the following ISO standards

ISO 9001:2015 Quality
 ISO 27001 Information Security
 ISO 20000 IT Service Management

ISO 45001 Health and Safety
 ISO 14001 Environmental

Navtech Radar

+44 (0) 1235 832 419

www.navtechradar.com



Safety is everything.