

HDR351

TECHNICAL

DATA SHEET



MODELS	INDICATIVE RANGE	UPDATE RATE
--------	------------------	-------------

HDR351	5,000 metres	1 Hz
--------	--------------	------

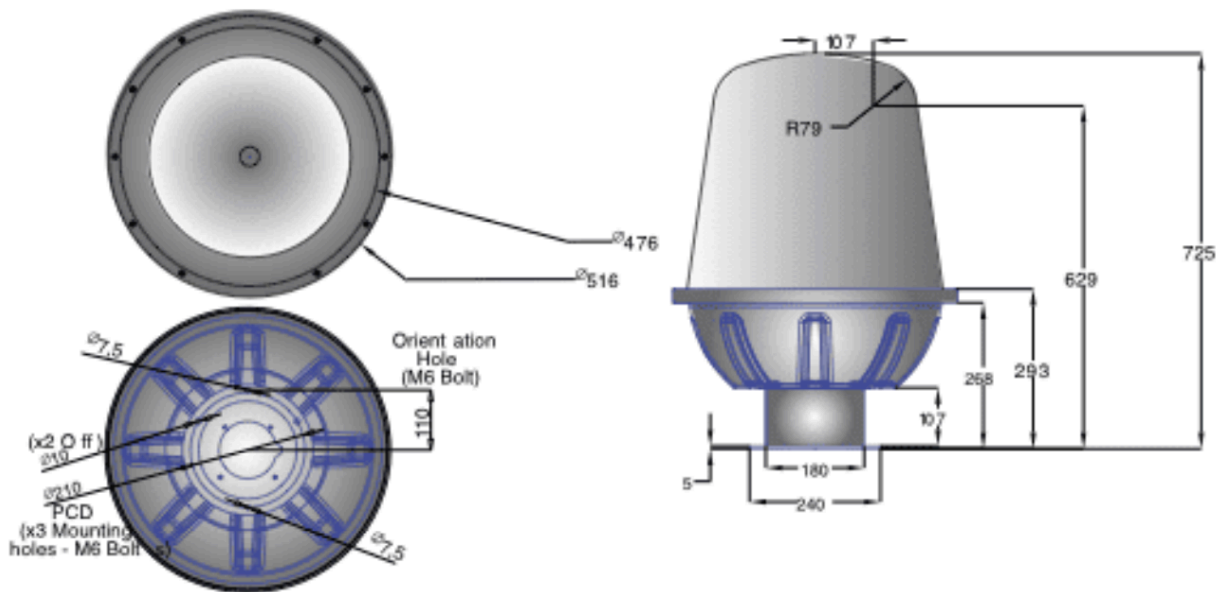
DIMENSIONS

Measurements

H725mm x W516mm

Weight

22 kg



Note: Dimensions measured in mm.

Specifications are subject to change without notice.
 All images used are for illustrative purposes only.
 Due to customer use beyond our control, Navtech Radar cannot assess product relevance for specific applications. Customers are responsible for testing products and reviewing regulations to ensure safe operation.



Navtech complies with the following ISO standards

ISO 9001:2015 Quality
 ISO 27001 Information Security
 ISO 20000 IT Service Management
 ISO 45001 Health and Safety
 ISO 14001 Environmental

Navtech Radar

+44 (0) 1235 832 419

www.navtechradar.com



Safety is everything.

AG-PM-0005 V2.0

TECHNICAL SPECIFICATIONS - HDR351

Operating Frequency	76 - 77 GHz
Operating Range	3000m Person 5000m Vehicle
Range Resolution	0.39m
Azimuth Beamwidth	0.9°
Elevation Beamwidth	3°
Measurement Rate	800 per rotation
Field of View	360°
Update Rate (Rotation Speed)	1s (1 Hz)
Data Connection	1 Gbps Ethernet
Power Consumption	36 Watts
Power Supply	24 Volts DC
Mounting Height	6-10m
Safe Working Distance (from radome)	0.1m
Operating Temperature	-20°C to + 60°C
Environmental	UL50/50E IP 67 BS EN 60068-2-52:1996 Test Kb Severity 3
Compliance	CE, UKCA , ACMA, FCC Marked
EMC Directive	2014/30/EU
Low Voltage Directive	2014/35/EU
Radio Equipment Directive	2014/53/EU

Specifications are subject to change without notice.
All images used are for illustrative purposes only.
Due to customer use beyond our control, Navtech Radar cannot assess product relevance for specific applications. Customers are responsible for testing products and reviewing regulations to ensure safe operation.

Navtech Radar



+44 (0) 1235 832 419



www.navtechradar.com



Safety is everything.

AG-PM-0005 V2.0