

# HDR300 SERIES TECHNICAL DATA SHEET



MODELS	INDICATIVE RANGE	UPDATE RATE
<b>HDR331</b>	3,000 metres	1 Hz
<b>HDR321</b>	2,000 metres	1 Hz
<b>HDR311</b>	1,250 metres	1 Hz

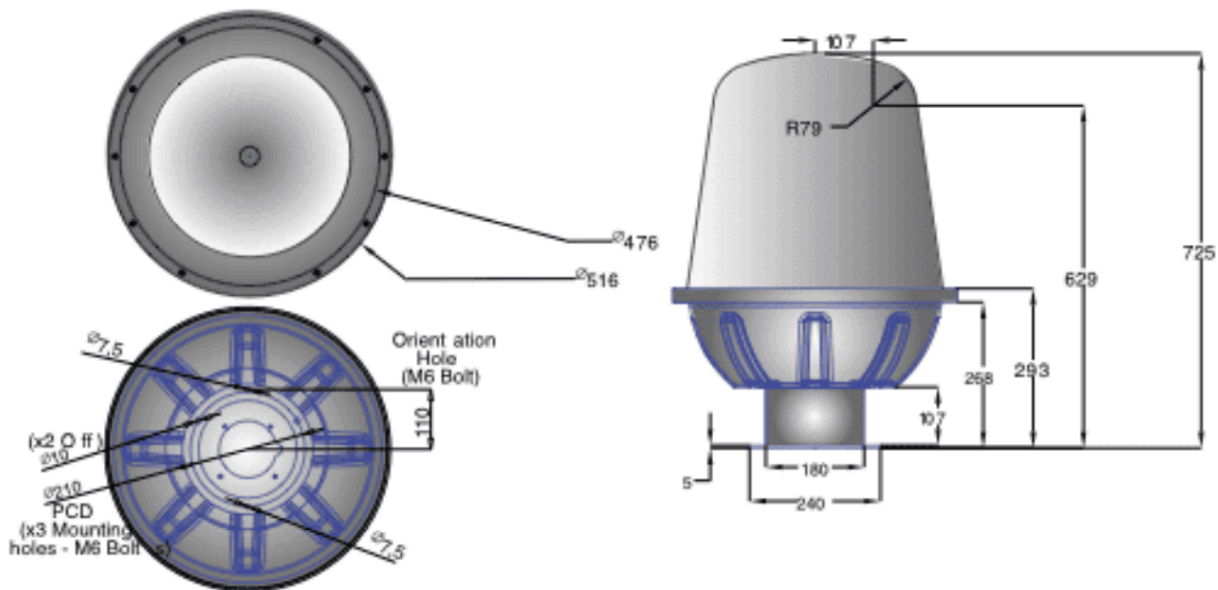
## DIMENSIONS

**Measurements**

H725mm x W516mm

**Weight**

22 kg



Note: Dimensions measured in mm.

Specifications are subject to change without notice.  
All images used are for illustrative purposes only.  
Due to customer use beyond our control, Navtech Radar cannot assess product relevance for specific applications. Customers are responsible for testing products and reviewing regulations to ensure safe operation.



Navtech complies with the following ISO standards

- ISO 9001:2015 Quality
- ISO 27001 Information Security
- ISO 20000 IT Service Management
- ISO 45001 Health and Safety
- ISO 14001 Environmental

**Navtech Radar**

+44 (0) 1235 832 419

www.navtechradar.com



**Safety is everything.**

## TECHNICAL SPECIFICATIONS - HDR300 Series

<b>Operating Frequency</b>	76 - 77 GHz
<b>Operating Range</b>	5-2000m Person 5-3000m Vehicle
<b>Range Resolution</b>	HDR331 : 0.23m HDR321 : 0.155m HDR311 : 0.155m
<b>Azimuth Beamwidth</b>	0.9°
<b>Elevation Beamwidth</b>	3°
<b>Infill Elevation Beam</b>	Optional
<b>Measurement Rate</b>	800 per rotation
<b>Field of View</b>	360°
<b>Update Rate (Rotation Speed)</b>	1s (1 Hz)
<b>Data Connection</b>	1 Gbps Ethernet
<b>Power Consumption</b>	36 Watts
<b>Power Supply</b>	24 Volts DC
<b>Mounting Height</b>	HDR331 : 6-8m HDR321 : 6-8m HDR311 : 4-6m
<b>Safe Working Distance (from radome)</b>	0.1m
<b>Operating Temperature</b>	-20°C to + 60°C
<b>Environmental</b>	UL50/50E IP 67 BS EN 60068-2-52:1996 Test Kb Severity 3
<b>Compliance</b>	CE, UKCA , ACMA, FCC Marked
<b>EMC Directive</b>	2014/30/EU
<b>Low Voltage Directive</b>	2014/35/EU
<b>Radio Equipment Directive</b>	2014/53/EU

Specifications are subject to change without notice.  
All images used are for illustrative purposes only.  
Due to customer use beyond our control, Navtech Radar cannot assess product relevance for specific applications. Customers are responsible for testing products and reviewing regulations to ensure safe operation.

**Navtech Radar**



+44 (0) 1235 832 419



[www.navtechradar.com](http://www.navtechradar.com)



**Safety is everything.**

AG-PM-0003 V2.0