



KTS Series - Navtech Radar

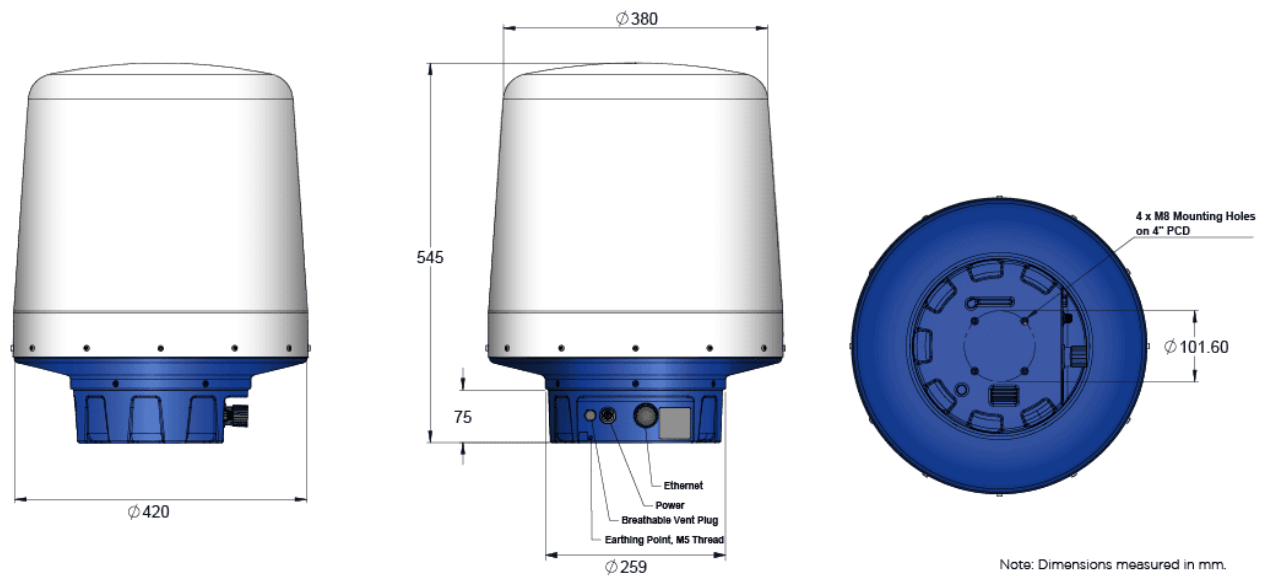
SPECIFICATIONS		KTS350-X
Dimensions		
Measurements	H545mm x D420mm - 21.5inch x 16.5inch	
Weight	11kg / 24.2lbs	
Radar characteristics		
Max range		
Radius	500m / 1640ft	
Full range (diameter)	1000m / 3280ft	
Range resolution	0.175m / 0.57inch	
Measurement rate	400 per rotation	
Field of view	360°	
Beam shape		
Horizontal	1.8°	
Vertical	3.6°	
Azimuth sampling	0.9°	
Connection		Connectors
Power	M12 5 wire Phoenix Contacts	
Ethernet	CONEC IP67 connector - RJ45 CAT5e - 1 Gbps ethernet	
Earth	M5 thread	
Pressurisation valve	Yes	

Network	
Speed	100/1000Mbps (configurable)
Bandwidth	<0.5Mbps per radar in normal operation ~38Mbps viewing full disc raw data (for commissioning only)
Direct power variant	
Voltage input	24V DC
Tolerance	21.6V to 26.4V
Consumption	30W (60W with heater activated)
Environment	
Operating Temperature	-20°C to +60°C / -4°F to +140°F
Enclosure	UL50/50E
Weather	Fully functional in wind, rain, snow, fog, ice, humidity 0-100% condensing
Visibility	Full performance through fog and smoke
IP rating	IP67
Saline	BS EN 60068-2-52:1996 Test Kb Severity 3
Electrical and radio	
Radar frequency	35-36 GHz
Compliance	KC, FCC, ISED
Software	
Protocols	TCP/IP, UDP, IPv4, HTTP, HTTPS, TLS1.2, SSH
Interface	Vertex via web browser
Authenticated access	Yes
Signed software	Yes - SHA512

Security

Encryption library	Botan
Authentication	Yes (password change or reset through admin account)
Account management	Password update only (3 inbuilt accounts)
Firewall / Access Control	Yes
SSH	Yes
Secure mode	Yes (closes port 80, only allows SSH with secure key, no UDP multicast)

DIMENSIONS



Navtech Radar
UK: +44 (0)1235 832419
US: 302-499-2035

