



CTS Series - Navtech Radar

SPECIFICATIONS		CTS350-X / CTS350-X-P
Dimensions		
Measurements	H387mm x D249mm	
Weight	6kg	
Radar characteristics		
Max range		
Radius	500m	
Full range (diameter)	1000m	
Range resolution	0.175m	
Measurement rate	400 per rotation	
Field of view	360°	
Beam shape		
Horizontal	1.8°	
Vertical	1.8°	
Azimuth sampling	0.9°	
Connection		Connectors
Power	Binder IP67 connector	
Ethernet	CONEC IP67 connector - RJ45 CAT5e - 1 Gbps ethernet	
Earth	M5 thread	
Pressurisation valve	Yes	

Network	
Speed	100/1000Mbps (configurable)
Bandwidth	<0.5Mbps per radar in normal operation ~38Mbps viewing full disc raw data (for commissioning only)
Direct power variant	
Voltage input	24V DC
Tolerance	21.6V to 26.4V
Consumption	24W
PoE+ variant	
Voltage input	36V to 57V
Tolerance	-0.3 to 60V
1ms surge	-0.6 to 80V (surge protection on the PoE line is recommended)
Consumption	24W
Environment	
Operating Temperature	-20°C to +60°C / -4°F to +140°F
Enclosure	UL50/50E
Weather	Fully functional in wind, rain, snow, fog, ice, humidity 0-100% condensing
Visibility	Full performance through fog and smoke
IP rating	IP67
Saline	BS EN 60068-2-52:1996 Test Kb Severity 3
Shock and vibration	BS 7987 Clause 11, Class AJ2 BS EN 60068-2-64 Test Fh, Class AL2 BS EN 60068-2-27 2009, Test Ea BS EN 60068-2-31, Procedure 1

Electrical and radio

Radar frequency	76-77 GHz
EMC Directive	2014/30/EU
Radio Equipment Directive	2014/53/EU
Low Voltage Directive	2014/35/EU
Compliance	CE, UKCA, ACMA Marked

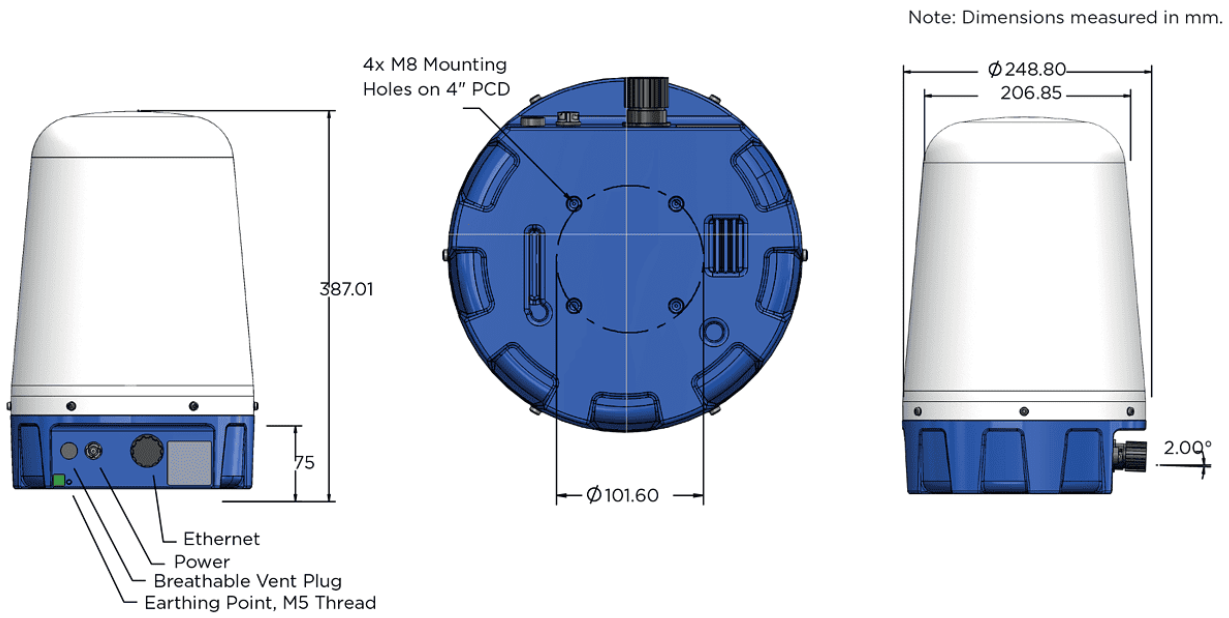
Software

Protocols	TCP/IP, UDP, IPv4, HTTP, HTTPS, TLS1.2, SSH
Interface	Vertex via web browser
Authenticated access	Yes
Signed software	Yes - SHA512

Security

Encryption library	Botan
Authentication	Yes (password change or reset through admin account)
Account management	Password update only (3 inbuilt accounts)
Firewall / Access Control	Yes
SSH	Yes
Secure mode	Yes (closes port 80, only allows SSH with secure key, no UDP multicast)

DIMENSIONS



Specifications are subject to change without notice. All images used are for illustrative purposes only.

Navtech Radar
UK: +44 (0)1235 832419
US: 302-499-2035

